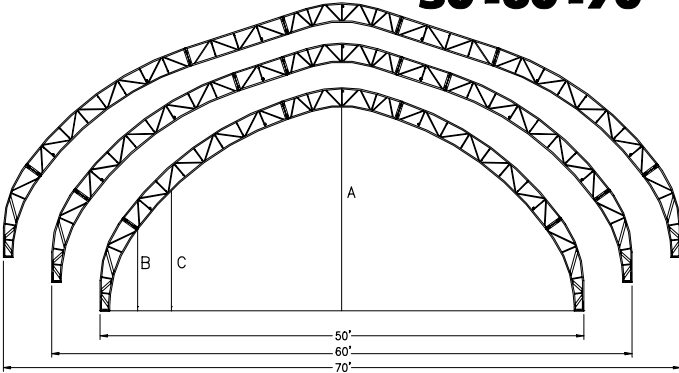
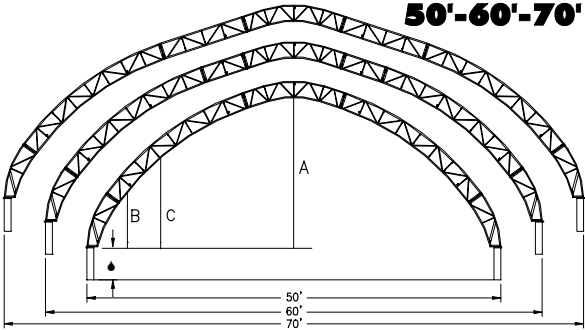


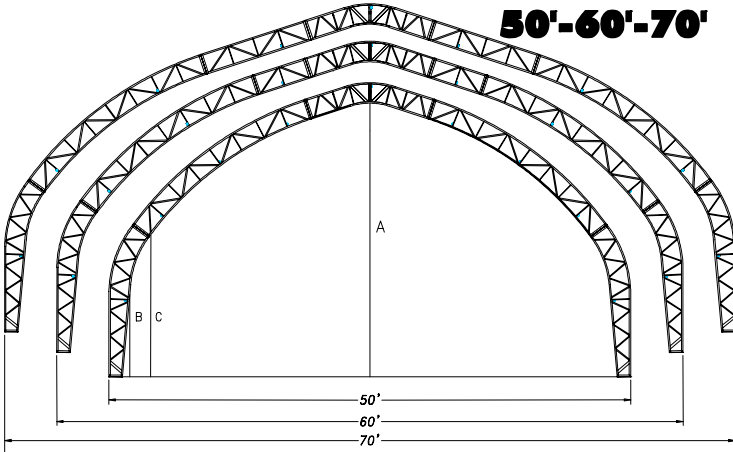
**"HP" PROFILE
50'-60'-70'**



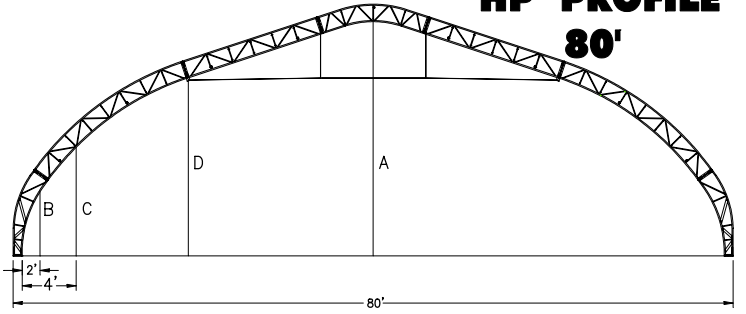
**"LP" PROFILE
50'-60'-70'**



**"XP" PROFILE
50'-60'-70'**

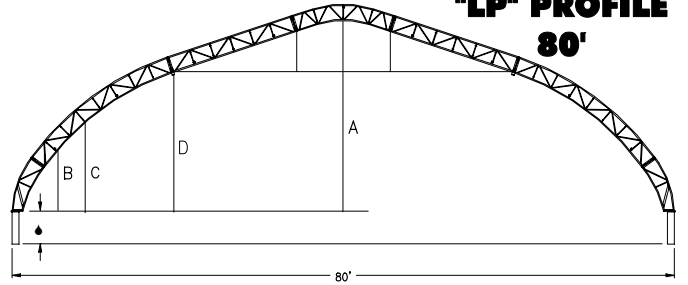


**"HP" PROFILE
80'**

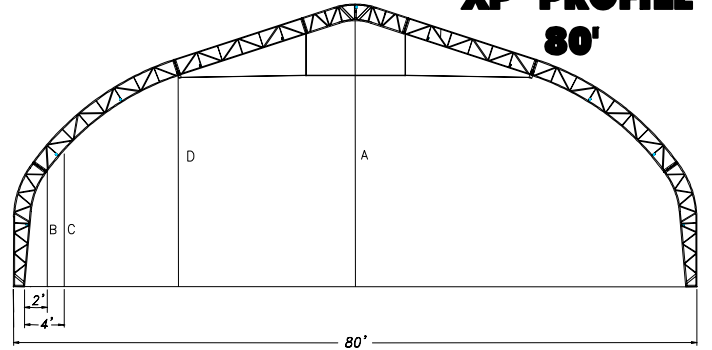


▲ = variable

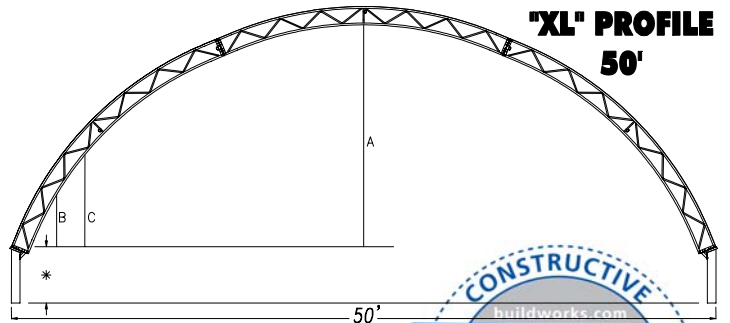
**"LP" PROFILE
80'**



**"XP" PROFILE
80'**

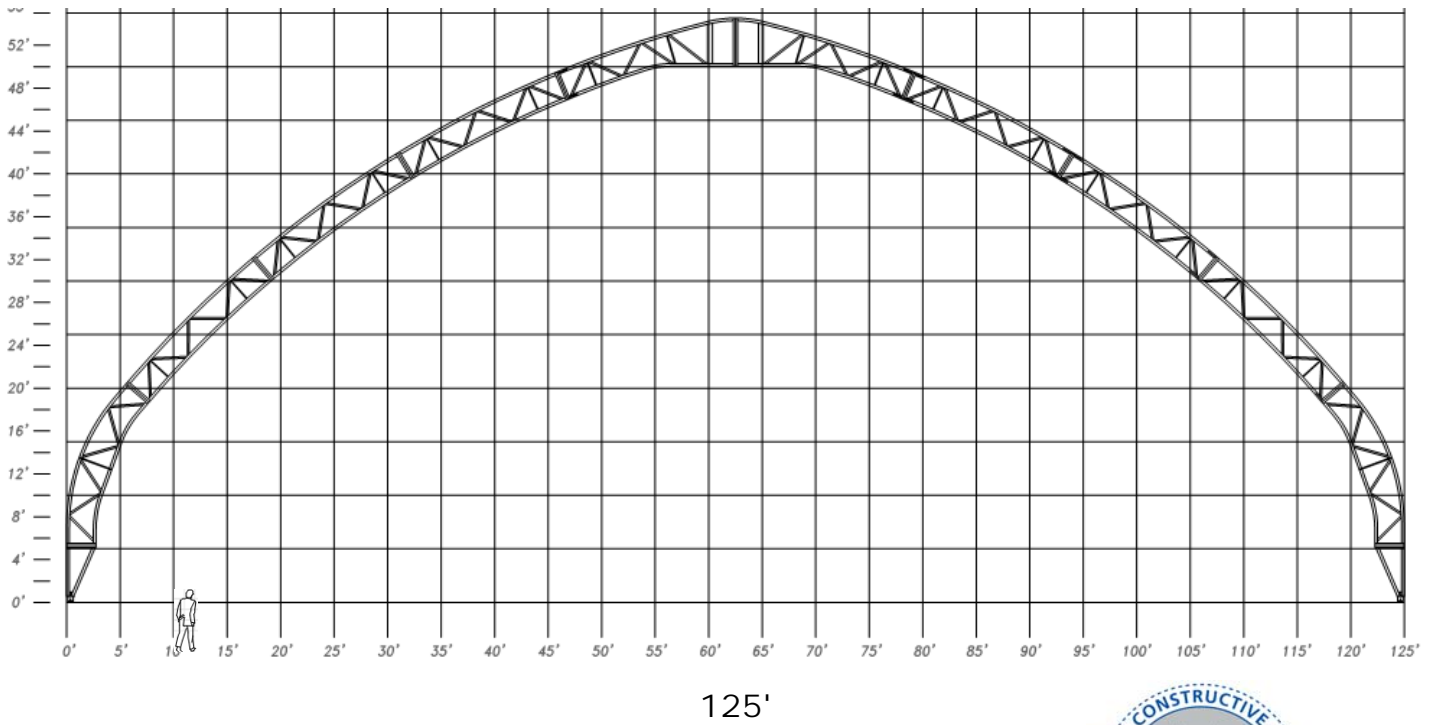
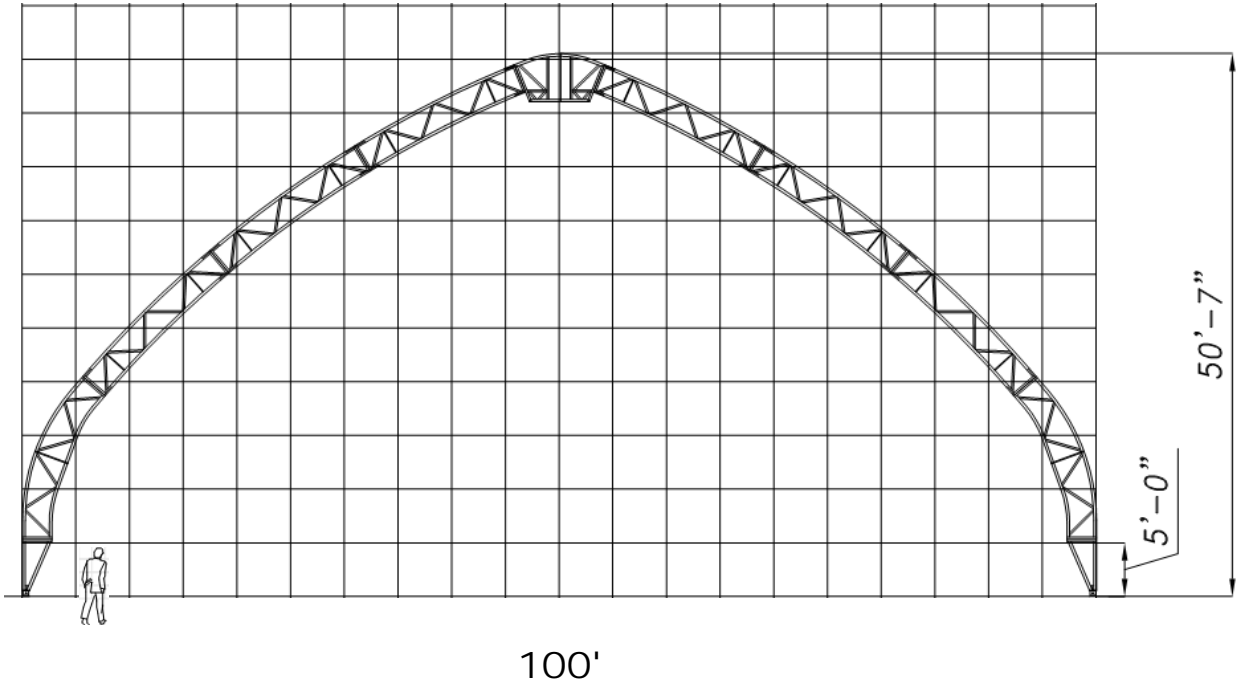


**"XL" PROFILE
50'**



Models	A	B (2')	C (4')	D
HP profile 50'	21'2"	7'1"	9'10"	----
HP profile 60'	22'10"	7'1"	9'10"	----
HP profile 70'	24'6"	7'1"	9'10"	----
HP profile 80'	26'	7'1"	9'10"	19'7"
LP profile 50'	18' Σ	3'8" Σ	6'5" Σ	----
LP profile 60'	19'8" Σ	3'8" Σ	6'5" Σ	----
LP profile 70'	21'4" Σ	3'8" Σ	6'5" Σ	----
LP profile 80'	22'10" Σ	3'8" Σ	6'5" Σ	16'5"
XL profile 50'	15'9" Σ	3'8" Σ	6'6" Σ	----
XP profile 50'	26'2"	12'1"	14'10"	----
XP profile 60'	27'10"	12'1"	14'10"	----
XP profile 70'	29'6"	12'1"	14'10"	----
XP profile 80'	31'	12'1"	14'10"	24'7"

Σ Add height of wall for ground measurement



T: 888 500-1155, 604 794-3628
 E: info@buildworks.com

